



## **T1.111.8-2001 (T1.111a-2002)**

signalling point codes. It is the responsibility of the Network Administrator to keep the Code Administrator informed of any information changes regarding information supplied at the time of the code assignment request. The Network Administrator administers the point codes within the network code and point code blocks of its affiliated CCS network or CCS group respectively that have been assigned by the Code Administrator (see A.3.2).

**1.1.7 North America:** For simplicity of reference in this document, those countries served by the North American Numbering Plan (NANP).

**1.1.8 Signaling Point -** A node in a signalling network that either originates and receives signalling messages, or transfers signalling messages from one signalling link to another, or both.

**1.1.9 Signalling Point Code:** A code used to identify a signalling point and point-to-point signalling code



## **T1.111.8-2001 (T1.111a-2002)**

Guidelines for the assignment and administration of network codes and signalling point code blocks are provided in Annex A.

### **3.2 Unused Code**

The network code of 0 (0000 0000) shall not be used. When the network cluster field is used to identify small networks, the network cluster code of 0 (0000 0000) shall not be used. When the Cluster Member Field is used to identify a CCS Group, the Cluster Member code of 0 shall not be used.

### **3.3 Small Network and Group Codes**

Five of the network identification field codes, namely 1, 2, 3, 4, and 5 are reserved for assignment to small CCS networks and CCS groups. For network codes 1, 2, 3, and 4, their associated network cluster field codes shall be assigned as network codes for small networks. For network code 5, the network cluster and cluster member fields shall be partitioned into signalling point code blocks that shall be assigned to CCS groups that are not eligible for a network code assignment. For network code 5, a network cluster code is associated with each State, Province, or Territory in the United States and Canada. Similarly, specific network clusters are associated with the Caribbean, Atlantic, and Pacific countries, and territories within North America. Point code blocks from the respective network cluster codes are assigned to CCS groups according to the physical locations of the signalling points in the CCS groups.

### **3.4 Code for ANSI-41 CCS Networks and Groups Outside North America**

Network identification field code 6 is reserved for assignment outside North America to ANSI-41 CCS networks and CCS groups.

### **3.5 Test Code**

The network code of 229 (1110 0101) is assigned by T1S1 for testing.

### **3.6 Reserved Code**

The network code of 255 (1111 1111) is reserved for future use.

## **4 General Principles**

**4.1** A large CCS network may be assigned a network code based upon the applicant's compliance with the guidelines in normative Annex A. A secondary network code may be assigned to a large CCS network provided that the applicant satisfies the criteria in Annex A

NOTE - A large CCS network is not eligible for more than two network codes.

## **T1.111.8-2001 (T1.111a-2002)**

A small CCS network may be assigned up to four “small” network codes upon request and more than four based on the applicant’s compliance with the guidelines in Annex A. A CCS Group will be assigned the exact number of signalling point code blocks (four codes per block) requested based on the applicant’s compliance with the guidelines in Annex A (see A.1).

**4.2** Lists of network codes and signalling point code blocks are maintained by the Code Administrator. Once a network code or signalling point code block has been assigned to a CCS network or CCS group, respectively, the assignment of point codes to individual signalling points is the responsibility of that network or group. (See Chapter T1.111.5, “Signalling Network Structure,” for information on routing, addressing, and examples of individual point code assignments.)

**4.3** In the case where small networks are assigned more than one network code and the NIDs of the network codes have different values, the Network Administrator shall use point codes having the same value in the NIDs to address a mated pair of STPs. This requirement is justification for a small network to request additional cluster codes to satisfy this condition.

## **5 Shared Clusters and Groups**

If through merger, acquisition, divestiture, joint venture, or partnership split, a signalling point(s) or cluster(s) now belongs to a CCS network or CCS group different from the one originally assigned the large network code, small network code, or point code block, the new CCS network or CCS group may retain the point code(s) or cluster(s) temporarily, provided that the network connections do not change due to the reorganization (e.g., other networks will not need to change their routing). This would allow a network element to retain its original point code and remain in operation when acquired by a different CCS network or CCS group as a result of any of the mentioned events. In this case, the Code Administrator shall be notified and will maintain assignment information for both CCS networks or CCS groups about that specific point code(s). The CCS network or CCS group originally assigned the network code or point code block is still considered to be the assignee of the point codes and has primary responsibility for coordinating the sharing arrangement. This allowance does not affect the method by which the Code Administrator assigns point codes. (Allowing network reconfiguration when network elements retain their original SPCs and move to a different CCS network or CCS group is for further study.)

**Annex A**  
(normative)

**A CCS Code Administration Guidelines**

**A.1 Eligibility for CCS code assignment**

**A.1.1** A CCS network (defined in 1.1) is a set of signalling points with an STP or STP functionality using



**T1.111.8-2001 (T1.111a-2002)**



## **T1.111.8-2001 (T1.111a-2002)**

### **A.2.4 Criteria for point code block assignment**

**A.2.4.1** CCS groups are not eligible for a network code assignment (i.e., no signalling point with transfer functionality) and shall be assigned signalli

## **T1.111.8-2001 (T1.111a-2002)**

**A.2.5.3** ANSI-41 CCS networks or CCS groups outside of North America will be assigned small network codes or point code blocks respectively, only from NID 6.

**A.2.5.4** Network codes and point code blocks that are assigned under the conditions, criteria, and procedures contained in this Annex are subject to the same reclamation procedures as detailed in this document for North American networks.

**A.2.5.5** An ANSI-41 CCS network outside of North America that spans multiple countries (i.e., a multi-national network or group) is treated as a single network. Applicants shall not apply for nor shall the Code Administrator assign network codes on a per country basis.

**A.2.5.6** The following additional conditions, criteria, and procedures apply to code applicants operating ANSI-41 CCS networks and CCS groups outside of North America:

- The applicant network must identify itself to the Code Administrator by certifying that it is an ANSI-41-based CCS network or CCS group outside of North America and by providing its full international address.
- The applicant network must identify the country(ies) in which it operates and, in the case of multiple countries, which country(ies) the applied for network code(s) or point code block(s) will be utilized.
- If the criteria for a CCS small network are met, the Code Administrator will make the requested assignment of a small network code from NID 6 starting with cluster 1 in ascending order.
- If the criteria for a CCS group point code block are met, the Code Administrator will make the requested assignment of a point code block from a cluster in NID 6 that the Code Administrator has reserved, starting from cluster 254 in descending order.

### **A.3 Procedure for requesting a code assignment**

**A.3.1** It is required that the Network Administrator of the CCS network or CCS group desiring a network code or point code block assignment, respectively, contact the Code Administrator (see A.6).

**A.3.2** The Network Administrator of the CCS network or CCS group must submit a completed application form (Contact Code Administrator for Application Form) to the Code Administrator requesting an assignment. When requesting a network code or signalling point code block assignment, the Network Administrator of the CCS network or CCS group must provide an exact corporate name and address, and list all of the firms associated with the CCS network or CCS group. It must also inform the Code Administrator of any previously assigned network codes or signalling point code blocks. Exact spelling, capitalization, hyphenation, and the like are necessary. In addition, the Network Administrator of a CCS group must also inform the Code Administrator of the state, province, territory, or country where each signalling point is physically located. When requesting an assignment, the Network Administrator of the CCS network or CCS group must give some justification for the assignment (see A.2).



**T1.111.8-2001 (T1.111a-2002)**

**A.6 Code Administrator**

The Code Administrator is given the full authority by T1 and the companies supporting T1 to carry out these guidelines. Contact the ATIS T1 Secretariat<sup>1</sup> to obtain the name and address of the current Code Administrator.

**A.7 Interpretation of these guidelines**

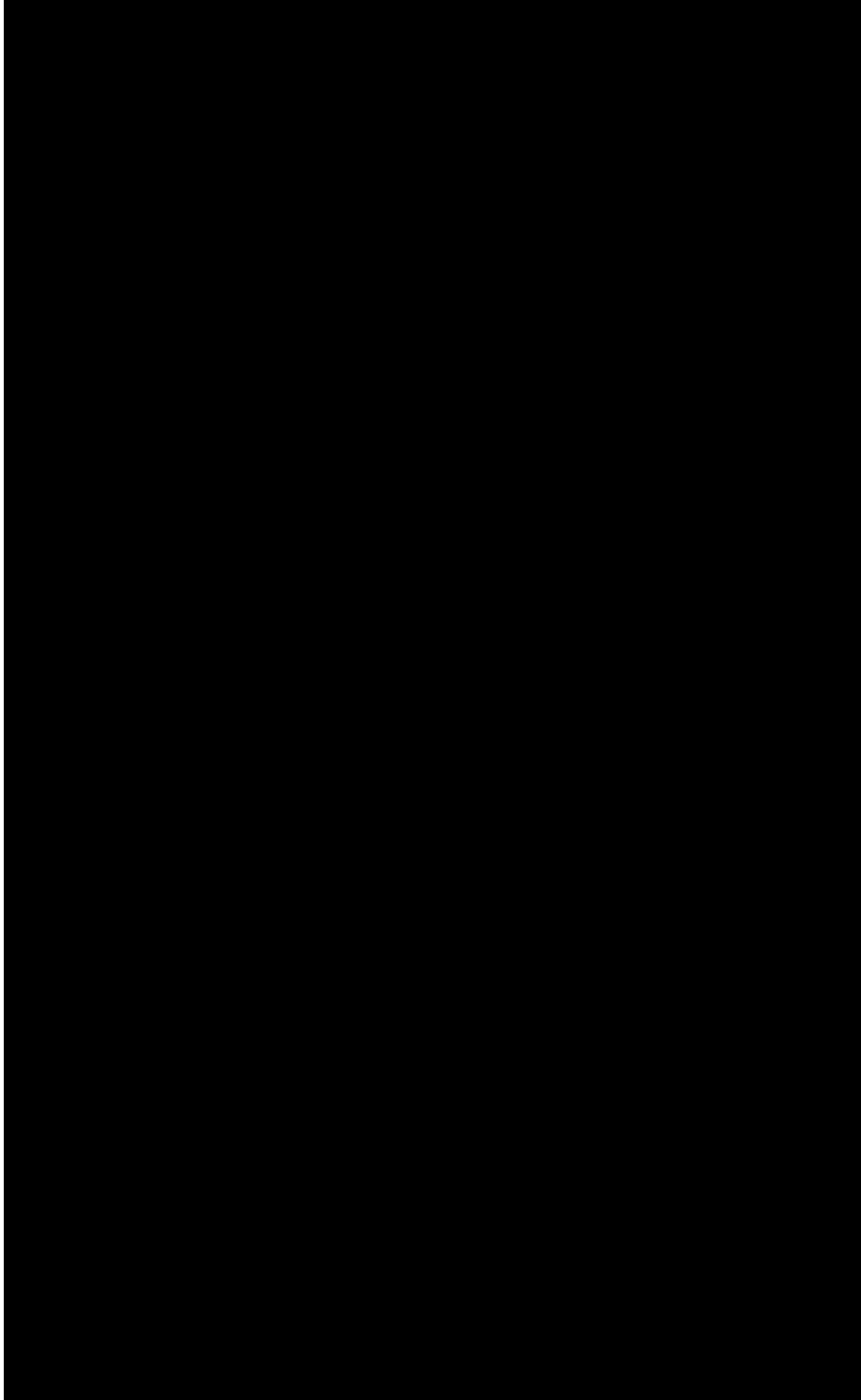
In order for signalling communications to occur between SS7 nodes, it is necessary for these nodes to be identified. This is true, regardless of the "nature" of the CCS network (e.g., "public" or "private"). Therefore, no restriction should be made based on the "nature" of the CCS network with respect to its eligibility for an SS7 code assignment.

---

<sup>1</sup> At T1 Secretariat, Alliance for Telecommunications Industry Solutions, 1200 G Street NW, Suite 500, Washington, DC 20005.

**T1.111.8-2001 (T1.111a-2002)**

NOTE - Contact the Code Administrator for an Application Form.



**Figure A.1/T1.111.8 - Signalling point code assignment rules (sheet 1 of 4)**

POINT CODE BLOCK

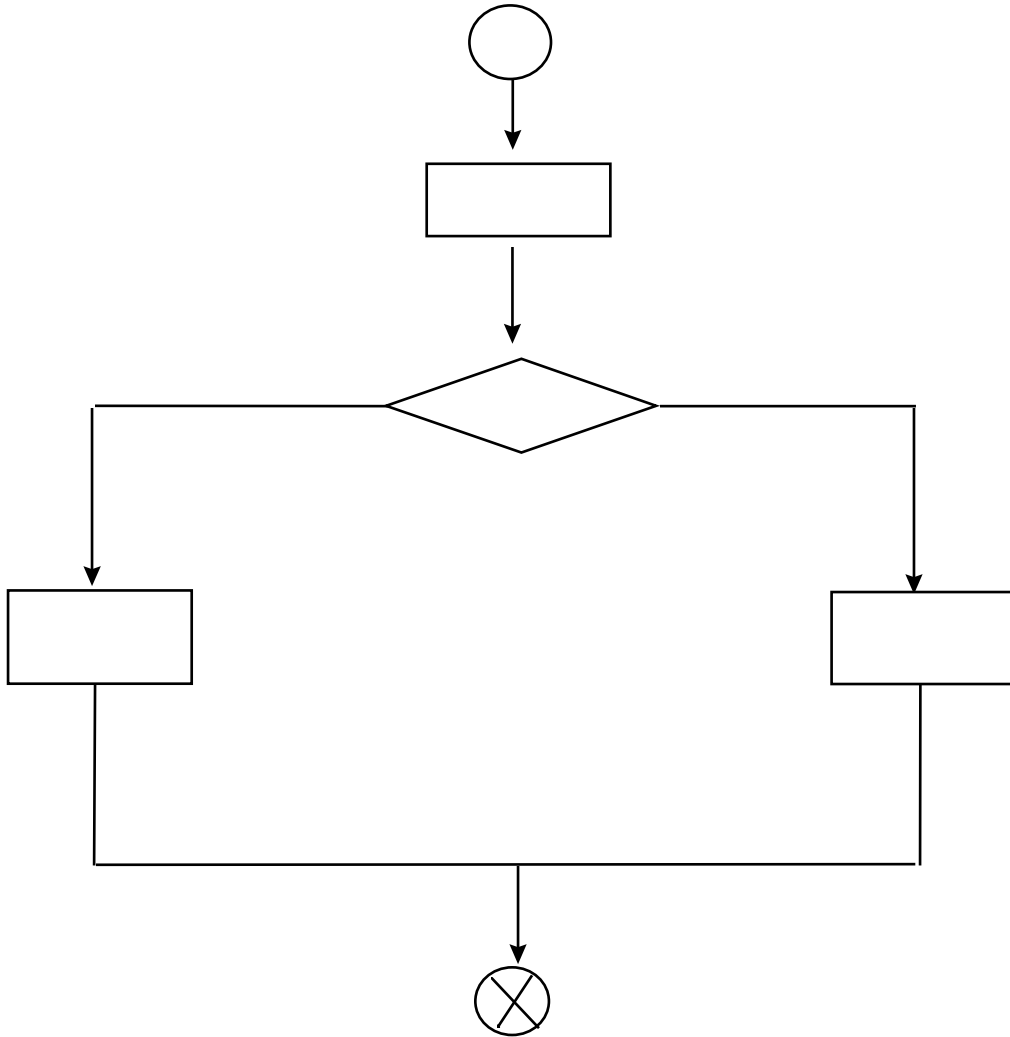


Figure A.1/T1.111.8 - Signalling point code assignment rules (sheet 2 of 4)

SMALL NETWORK CODE

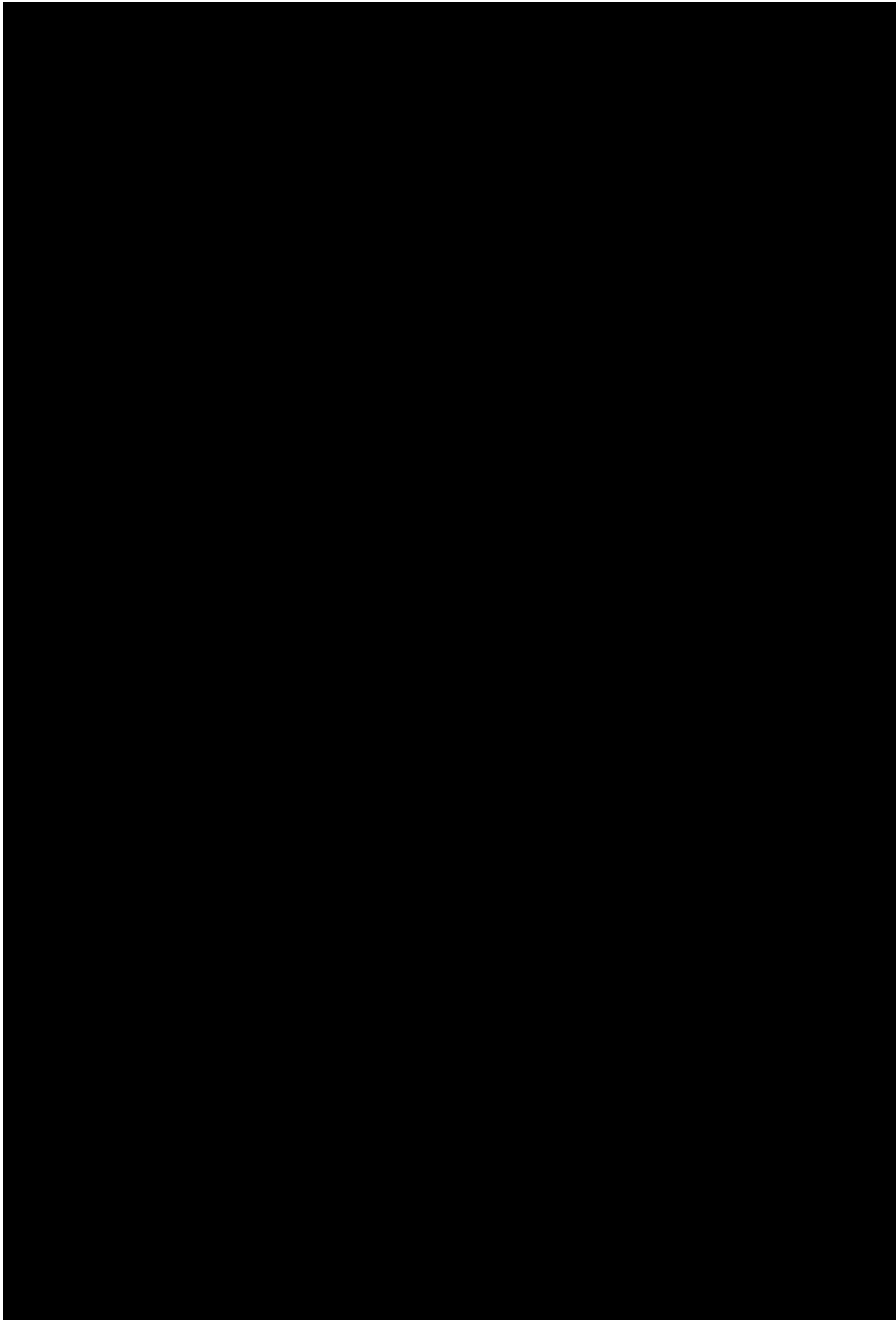


Figure A.1/T1.111.8 - Signalling Point Code Assignment Rules (sheet 3 of 4)



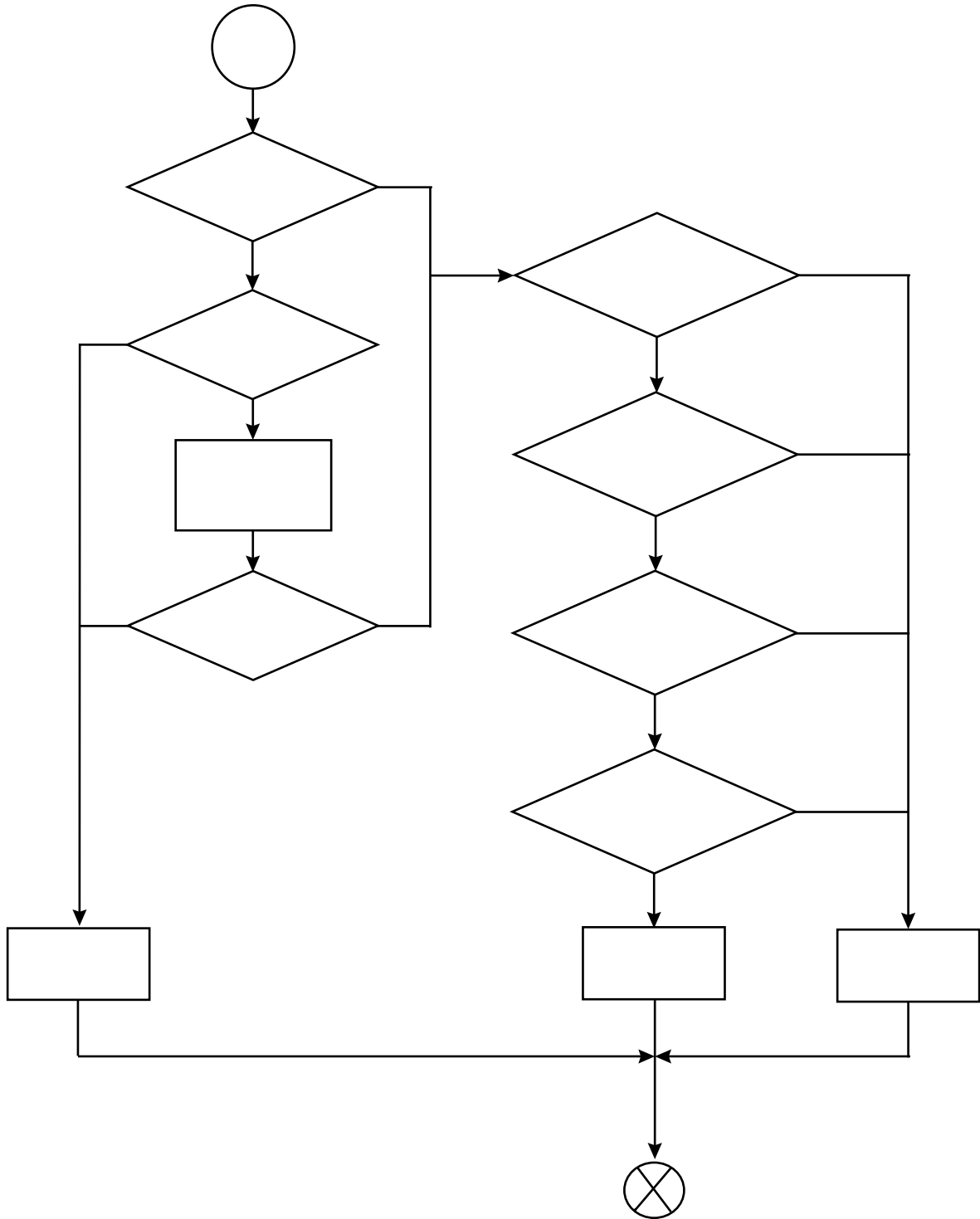


Figure A.1/T1.111.8 - Signalling Point Code Assignment Rules (sheet 4 of 4)